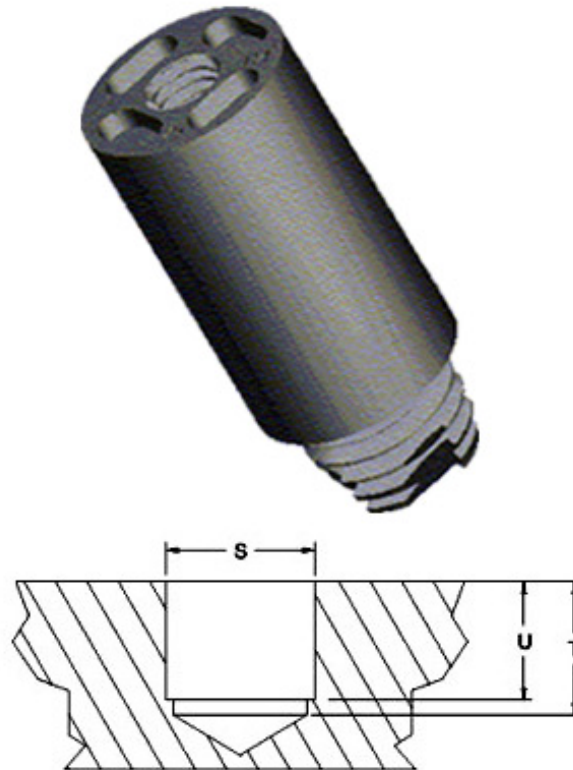
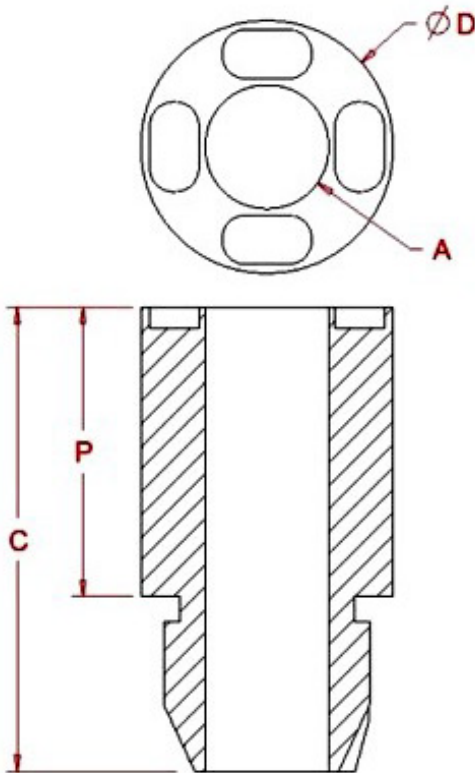


Part #	Part Code	Fredsert Data					Installation Data									
		A	B	C	D	P	Q	R	S	T	U	V				
		ID Thread	Minimum Effective ID Thread Depth (mm)	Overall Length (mm)	Head Dia (mm)	Head Thickness (mm)	Min C'bore Dia (mm)	Min C'bore Depth (mm)	Class 6H Thread in Parent Material	Min Drill Depth (mm)	Min Thread Depth (mm)	Tap Drill Diameter (mm)	Drive Tool	Combo Tool	Install Torque (ft-lbs)	
GAAMRT407-8125-5T-28	111	M4 x 0.7	THRU	33.00	11.00	28.00	N/A	N/A	M8 x 1.25	7.50	5.00	6.70	D-1	C2	15	
GAAMRT407-8125-5T-15	112	M4 x 0.7		10.00	20.00	11.00	15.00	N/A	N/A	M8 x 1.25	7.50	5.00	6.70	D-1	C2	15
GAAMRT407-8125-5T-20	551	M4 x 0.7	THRU	25.00	11.00	20.00	N/A	N/A	M8 x 1.25	7.50	5.00	6.70	D-1	C2	15	
GAAMRT407-8125-5S-15	550	M4 x 0.7		10.00	20.00	11.00	15.00	N/A	N/A	M8 x 1.25	7.50	5.00	6.70	D-1	C2	15
GAAMRT508-1015-9T-15	126	M5 x 0.8		13.00	24.00	12.70	15.00	N/A	N/A	M10 x 1.5	11.50	9.00	8.50	1.5	C5	60
GAAMRT508-1015-9T-40	129	M5 x 0.8		13.00	49.00	12.70	40.00	N/A	N/A	M10 x 1.5	11.50	9.00	8.50	D-1.5	C5	60
GAAMRT508-1015-9T-28	127	M5 x 0.8		13.00	37.00	37.00	28.00	N/A	N/A	M10 x 1.5	11.50	9.00	8.50	1.5	C5	60
GAAMRT508-1015-9T-8	148	M5 x 0.8	THRU	16.90	12.70	7.89	N/A	N/A	M10 x 1.5	11.50	9.00	8.50	1.5	C5	60	
GAAMRT508-1015-9T-11	147	M5 x 0.8	THRU	20.14	12.70	11.14	N/A	N/A	M10 x 1.5	11.50	9.00	8.50	1.5	C5	60	
GAAMRT508-1015-9T-35	128	M5 x 0.8		13.00	44.00	12.70	35.00	N/A	N/A	M10 x 1.5	11.50	9.00	8.50	1.5	C5	60
GAAMRT610-12175-9S-50	136	M6 x 1.0		15.00	59.00	16.00	50.00	N/A	N/A	M12 x 1.75	11.50	9.00	10.20	D-2	C7	110
GAAMRT610-12175-9T-30	145	M6 x 1.0		15.00	39.00	16.00	30.00	N/A	N/A	M12 x 1.75	11.50	9.00	10.20	D-2	C7	110
GAAMRT610-12175-9T-15	132	M6 x 1.0		15.00	24.00	16.00	15.00	N/A	N/A	M12 x 1.75	11.50	9.00	10.20	D-2	C7	110
GAAMRT610-12175-9T-20	133	M6 x 1.0		15.00	29.00	16.00	20.00	N/A	N/A	M12 x 1.75	11.50	9.00	10.20	D-2	C7	110
GAAMRT610-12175-9T-35	167	M6 x 1.0		15.00	44.00	16.00	35.00	N/A	N/A	M12 x 1.75	11.50	9.00	10.20	D-2	C7	110
GAAMRT610-12175-9S-100	130	M6 x 1.0		15.00	109.00	16.00	100.00	N/A	N/A	M12 x 1.75	11.50	9.00	10.20	D-2	C7	110
GAAMRT610-12175-9T-28	114	M6 x 1.0	THRU	37.00	16.00	28.00	N/A	N/A	M12 x 1.75	11.50	9.00	10.20	D-2	C7	110	
GAAMRT610-12175-9T-40	170	M6 x 1.0		15.00	49.00	16.00	40.00	N/A	N/A	M12 x 1.75	11.50	9.00	10.20	D-2	C7	110
GAAMRT610-12175-9S-30	553	M6 x 1.0		15	39	16	30	N/A	N/A	M12 x 1.75	11.50	9.00	10.20	D-2	C7	110
GAAMRT610-12175-9T-14	175	M6 x 1.0	THRU	23	16	14	N/A	N/A	M12 x 1.75	11.50	9.00	10.20	D-2	C7	110	
GAAMRT610-12175-9T-19	104	M6 x 1.0	THRU	28	16	19	N/A	N/A	M12 x 1.75	11.50	9.00	10.20	D-2	C7	110	
GAAMRT610-12175-9T-25	552	M6 x 1.0	THRU	34	16	25	N/A	N/A	M12 x 1.75	11.50	9.00	10.20	D-2	C7	110	
GAAMRT610-12175-9T-50	136	M6 x 1.0	THRU	59	16	50	N/A	N/A	M12 x 1.75	11.50	9.00	10.20	D-2	C7	110	

Part #	Part Code	Fredsert Data					Installation Data									
		A	B	C	D	P	Q	R	S	T	U	V				
		ID Thread	Minimum Effective ID Thread Depth (mm)	Overall Length (mm)	Head Dia (mm)	Head Thickness (mm)	Min C bore Dia (mm)	Min C bore Depth (mm)	Class 6H Thread in Parent Material	Min Drill Depth (mm)	Min Thread Depth (mm)	Tap Drill Diameter (mm)	Drive Tool	Combo Tool	Install Torque (ft-lbs)	
GAAMRT610-12175-9S-35	554	M6 x 1.0	18	44	16	35	N/A	N/A	M12 x 1.75	11.50	9.00	10.20	D-2	C7	110	
GAAMRT610-12175-9S-77	119	M6 x 1.0	18	86	16	77	N/A	N/A	M12 x 1.75	11.50	9.00	10.20	D-2	C7	110	
GAAMRT610-12175-9T-27	193	M6 x 1.0	THRU	36	16	27	N/A	N/A	M12 x 1.75	11.50	9.00	10.20	D-2	C7	110	
GAAMRT610-12175-9S-40	555	M6 x 1.0	18	49	16	40	N/A	N/A	M12 x 1.75	11.50	9.00	10.20	D-2	C7	110	
GAAMRT610-12175-9T-13	172	M6 x 1.0	THRU	22	16	13	N/A	N/A	M12 x 1.75	11.50	9.00	10.20	D-2	C7	110	
GAAMRT610-12175-9T-16	198	M6 x 1.0	THRU	25	16	16	N/A	N/A	M12 x 1.75	11.50	9.00	10.20	D-2	C7	110	
GAAMRT610-12175-9T-24	194	M6 x 1.0	THRU	33	16	24	N/A	N/A	M12 x 1.75	11.50	9.00	10.20	D-2	C7	110	
GAAMRT8125-1420-11T-8	150	M8 x 1.25	THRU	18.90	18.00	7.89	N/A	N/A	M14 x 2.0	13.5	11.00	12.00	D-3	C12	130	
GAAMRT8125-1420-11T-11	149	M8 x 1.25	THRU	22.14	18.00	11.14	N/A	N/A	M14 x 2.0	13.5	11.00	12.00	D-3	C12	130	
GAAMRT8125-1420-11T-28	117	M8 x 1.25	THRU	39.00	18.00	28.00	N/A	N/A	M14 x 2.0	13.5	11.00	12.00	D-3	C12	130	
GAAMRT8125-1420-11T-14	184	M8 x 1.25	THRU	25	18	14	N/A	N/A	M14 x 2.0	13.5	11.00	12.00	D-3	C12	130	
GAAMRT8125-1420-11T-23	20	M8 x 1.25	THRU	34	18	23	N/A	N/A	M14 x 2.0	13.5	11.00	12.00	D-3	C12	130	
GAAMRT8125-1420-11S-68	41	M8 x 1.25	15	79	18	68	N/A	N/A	M14 x 2.0	13.5	11.00	12.00	D-3	C12	130	
GAAMRT8125-1420-11T-15	196	M8 x 1.25	THRU	26	18	15	N/A	N/A	M14 x 2.0	13.5	11.00	12.00	D-3	C12	130	
GAAMRT8125-1420-11T-24	187	M8 x 1.25	THRU	35	18	24	N/A	N/A	M14 x 2.0	13.5	11.00	12.00	D-3	C12	130	
GAAMRT8125-1620-145S-100	557	M8 x 1.25	15	114.5	20	100	N/A	N/A	M16 x 2.0	17	14.5	14	D-4	C58	225	
GAAMRT8125-1420-11S-100	123	M8 x 1.25	15	111	18	100	N/A	N/A	M14 x 2.0	13.5	11.00	12.00	D-3	C12	130	
GAAMRT8125-1420-11T-16	197	M8 x 1.25	THRU	27	18	16	N/A	N/A	M14 x 2.0	13.5	11.00	12.00	D-3	C12	130	
GAAMRT8125-1420-11S-64	195	M8 x 1.25	15	75	18	64	N/A	N/A	M14 x 2.0	13.5	11.00	12.00	D-3	C12	130	
GAAMRT1015-1620-145T-5	123	M10 x 1.5	THRU	19.50	20.00	5.00	N/A	N/A	M16 x 2.0	17.00	14.50	14.00	D-4	C58	225	
GAAMRT1015-1620-145T-28	120	M10 x 1.5	THRU	42.50	20.00	28.00	N/A	N/A	M16 x 2.0	17.00	14.50	14.00	D-4	C58	225	
GAAMRT1015-1620-145T-10	559	M10 x 1.5	THRU	24.5	20	10	N/A	N/A	M16 x 2.0	17.00	14.50	14.00	D-4	C58	225	
GAAMRT1015-1620-145S-10	558	M10 x 1.5	16	24.5	20	10	N/A	N/A	M16 x 2.0	17.00	14.50	14.00	D-4	C58	225	

Part #	Part Code	Fredsert Data					Installation Data									
		A	B	C	D	P	Q	R	S	T	U	V				
		ID Thread	Minimum Effective ID Thread Depth (mm)	Overall Length (mm)	Head Dia (mm)	Head Thickness (mm)	Min C bore Dia (mm)	Min C bore Depth (mm)	Class 6H Thread in Parent Material	Min Drill Depth (mm)	Min Thread Depth (mm)	Tap Drill Diameter (mm)	Drive Tool	Combo Tool	Install Torque (ft-lbs)	
GAAMRT1015-1620-145T-20	91	M10 x 1.5	THRU	34.5	20	20	N/A	N/A	M16 x 2.0	17.00	14.50	14.00	D-4	C58	225	
GAAMRT1015-1620-145S-12	192	M10 x 1.5	16	26.5	20	12	N/A	N/A	M16 x 2.0	17.00	14.50	14.00	D-4	C58	225	
GAAMRT12175-2025-17T-28	125	M10 x 1.5	THRU	45.00	24.50	28.00	N/A	N/A	M20 x 2.5	19.50	17.00	17.50	D-5	C29	350	
GAAMRT12175-2025-17T-12.7	560	M10 x 1.5	THRU	29.7	25	12.7	N/A	N/A	M20 x 2.5	19.50	17.00	17.50	D-5	C29	350	

Appurtenance-CLASSIC



-Eliminates the need for weld bosses

-Designed for strength & durability

-Precision ID/OD thread concentricity

-Used where a stand-off or clearance is required

-Titanium option provides 40% weight savings over Stainless