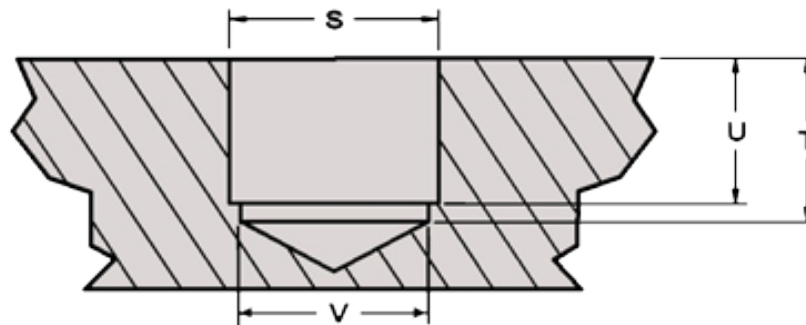
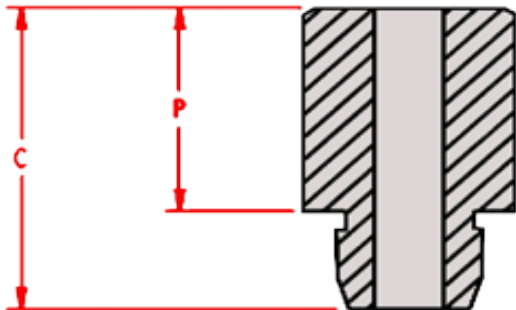
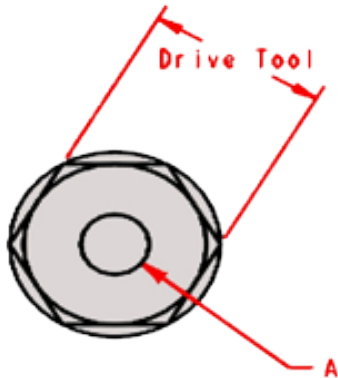


Appurtenance-PRO (See reference on third page)	Part Code	Fredsert Data					Installation Data									
		A	B	C	D	P	Q	R	S	T	U	V				
		ID Thread	Minimum Effective ID Thread Depth (mm)	Overall Length (mm)	Head Dia (mm)	Head Thickness (mm)	Min C'bore Dia (mm)	Min C'bore Depth (mm)	Class 6H Thread in Parent Material	Min Drill Depth (mm)	Min Thread Depth (mm)	Tap Drill Diameter (mm)	Drive Tool	Combo Tool	Install Torque (ft-lbs)	
GBAMRT407-8125-5T-20	659	M4X0.7	THRU	25.00	12.70	20.00	N/A	N/A	M8 x 1.25	7.50	5.00	6.70	11 mm HEX	C2	15	
GBAMRT407-8125-5S-15	657	M4X0.7	10	20.00	12.70	15.00	N/A	N/A	M8 x 1.25	7.50	5.00	6.70	11 mm HEX	C2	15	
GBAMRT407-8125-5T-28	660	M4X0.7	THRU	33.00	12.70	28.00	N/A	N/A	M8 x 1.25	7.50	5.00	6.70	11 mm HEX	C2	15	
GBAMRT407-8125-5T-15	658	M4X0.7	THRU	20.00	12.70	15.00	N/A	N/A	M8 x 1.25	7.50	5.00	6.70	11 mm HEX	C2	15	
GBAMRT508-1015-9T-11	661	M5X0.8	THRU	20.14	15.02	11.14	N/A	N/A	M10 x 1.5	11.50	9.00	8.50	13 mm HEX	C5	60	
GBAMRT508-1015-9T-35	664	M5X0.8	THRU	44.00	15.02	35.00	N/A	N/A	M10 x 1.5	11.50	9.00	8.50	13 mm HEX	C5	60	
GBAMRT508-1015-9T-15	662	M5X0.8	THRU	24.00	15.02	15.00	N/A	N/A	M10 x 1.5	11.50	9.00	8.50	13 mm HEX	C5	60	
GBAMRT508-1015-9T-40	665	M5X0.8	THRU	49.00	15.02	40.00	N/A	N/A	M10 x 1.5	11.50	9.00	8.50	13 mm HEX	C5	60	
GBAMRT508-1015-9T-28	663	M5X0.8	THRU	37.00	15.02	28.00	N/A	N/A	M10 x 1.5	11.50	9.00	8.50	13 mm HEX	C5	60	
GBAMRT508-1015-9T-8	666	M5X0.8	THRU	16.89	15.02	7.89	N/A	N/A	M10 x 1.5	11.50	9.00	8.50	13 mm HEX	C5	60	
GBAMRT610-12175-9S-100	667	M6X1.0	18	109.00	18.48	100.00	N/A	N/A	M12 x 1.75	11.50	9.00	10.20	16 mm HEX	C7	110	
GBAMRT610-12175-9S-40	670	M6X1.0	18	49.00	18.48	40.00	N/A	N/A	M12 x 1.75	11.50	9.00	10.20	16 mm HEX	C7	110	
GBAMRT610-12175-9T-13	675	M6X1.0	THRU	22.00	18.48	13.00	N/A	N/A	M12 x 1.75	11.50	9.00	10.20	16 mm HEX	C7	110	
GBAMRT610-12175-9T-16	679	M6X1.0	THRU	25.00	18.48	16.00	N/A	N/A	M12 x 1.75	11.50	9.00	10.20	16 mm HEX	C7	110	
GBAMRT610-12175-9T-24	683	M6X1.0	THRU	33.00	18.48	24.00	N/A	N/A	M12 x 1.75	11.50	9.00	10.20	16 mm HEX	C7	110	
GBAMRT610-12175-9T-28	687	M6X1.0	THRU	37.00	18.48	28.00	N/A	N/A	M12 x 1.75	11.50	9.00	10.20	16 mm HEX	C7	110	
GBAMRT610-12175-9T-40	691	M6X1.0	THRU	49.00	18.48	40.00	N/A	N/A	M12 x 1.75	11.50	9.00	10.20	16 mm HEX	C7	110	
GBAMRT610-12175-9S-30	668	M6X1.0	15	39.00	18.48	30.00	N/A	N/A	M12 x 1.75	11.50	9.00	10.20	16 mm HEX	C7	110	
GBAMRT610-12175-9S-50	672	M6X1.0	18	59.00	18.48	50.00	N/A	N/A	M12 x 1.75	11.50	9.00	10.20	16 mm HEX	C7	110	
GBAMRT610-12175-9T-14	676	M6X1.0	THRU	23.00	18.48	14.00	N/A	N/A	M12 x 1.75	11.50	9.00	10.20	16 mm HEX	C7	110	
GBAMRT610-12175-9T-19	681	M6X1.0	THRU	28.00	18.48	19.00	N/A	N/A	M12 x 1.75	11.50	9.00	10.20	16 mm HEX	C7	110	
GBAMRT610-12175-9T-25	684	M6X1.0	THRU	34.00	18.48	25.00	N/A	N/A	M12 x 1.75	11.50	9.00	10.20	16 mm HEX	C7	110	
GBAMRT610-12175-9T-30	688	M6X1.0	THRU	39.00	18.48	30.00	N/A	N/A	M12 x 1.75	11.50	9.00	10.20	16 mm HEX	C7	110	

Part #	Part Code	Fredsert Data					Installation Data									
		A	B	C	D	P	Q	R	S	T	U	V				
		ID Thread	Minimum Effective ID Thread Depth (mm)	Overall Length (mm)	Head Dia (mm)	Head Thickness (mm)	Min C bore Dia (mm)	Min C bore Depth (mm)	Class 6H Thread in Parent Material	Min Drill Depth (mm)	Min Thread Depth (mm)	Tap Drill Diameter (mm)	Drive Tool	Combo Tool	Install Torque (ft-lbs)	
GBAMRT610-12175-9T-50	692	M6X1.0	THRU	59.00	18.48	50.00	N/A	N/A	M12 x 1.75	11.50	9.00	10.20	16 mm HEX	C7	110	
GBAMRT610-12175-9S-35	669	M6X1.0	18	44.00	18.48	35.00	N/A	N/A	M12 x 1.75	11.50	9.00	10.20	16 mm HEX	C7	110	
GBAMRT610-12175-9S-77	673	M6X1.0	18	86.00	18.48	77.00	N/A	N/A	M12 x 1.75	11.50	9.00	10.20	16 mm HEX	C7	110	
BAMRT610-12175-9T-15	677	M6X1.0	THRU	24.00	18.48	15.00	N/A	N/A	M12 x 1.75	11.50	9.00	10.20	16 mm HEX	C7	110	
GBAMRT610-12175-9T-20	682	M6X1.0	THRU	29.00	18.48	20.00	N/A	N/A	M12 x 1.75	11.50	9.00	10.20	16 mm HEX	C7	110	
GBAMRT610-12175-9T-27	686	M6X1.0	THRU	36.00	18.48	27.00	N/A	N/A	M12 x 1.75	11.50	9.00	10.20	16 mm HEX	C7	110	
GBAMRT610-12175-9T-35	689	M6X1.0	THRU	49.00	18.48	35.00	N/A	N/A	M12 x 1.75	11.50	9.00	10.20	16 mm HEX	C7	110	
GBAMRT8125-1420-11T-16	702	M8X1.25	THRU	27.00	20.79	16.00	N/A	N/A	M14 x 2.0	13.50	11.00	12.00	18 mm HEX	C12	130	
GBAMRT8125-1420-11T-28	707	M8X1.25	THRU	39.00	20.79	28.00	N/A	N/A	M14 x 2.0	13.50	11.00	12.00	18 mm HEX	C12	130	
GBAMRT8125-1420-11S-64	695	M8X1.25	15	75.00	20.79	64.00	N/A	N/A	M14 x 2.0	13.50	11.00	12.00	18 mm HEX	C12	130	
GBAMRT8125-1420-11T-14	699	M8X1.25	THRU	25.00	20.79	14.00	N/A	N/A	M14 x 2.0	13.50	11.00	12.00	18 mm HEX	C12	130	
GBAMRT8125-1420-11T-23	705	M8X1.25	THRU	34.00	20.79	23.00	N/A	N/A	M14 x 2.0	13.50	11.00	12.00	18 mm HEX	C12	130	
GBAMRT8125-1420-11T-8	708	M8X1.25	THRU	18.89	20.79	7.89	N/A	N/A	M14 x 2.0	13.50	11.00	12.00	18 mm HEX	C12	130	
GBAMRT8125-1420-11S-68	697	M8X1.25	15	79.00	20.79	68.00	N/A	N/A	M14 x 2.0	13.50	11.00	12.00	18 mm HEX	C12	130	
GBAMRT8125-1420-11T-15	701	M8X1.25	THRU	26.00	20.79	15.00	N/A	N/A	M14 x 2.0	13.50	11.00	12.00	18 mm HEX	C12	130	
GBAMRT8125-1420-11T-24	706	M8X1.25	THRU	35.00	20.79	24.00	N/A	N/A	M14 x 2.0	13.50	11.00	12.00	18 mm HEX	C12	130	
GBAMRT8125-1620-145S-100	709	M8X1.25	15	114.5	20.79	100.00	N/A	N/A	M14 x 2.0	17.50	14.50	14.00	20 mm HEX	C58	225	
GBAMRT8125-1420-11S-100	693	M8X1.25	15	111.00	20.79	100.00	N/A	N/A	M14 x 2.0	13.50	11.00	12.00	18 mm HEX	C12	130	
GBAMRT8125-1420-11T-11	698	M8X1.25	THRU	22.14	20.79	11.14	N/A	N/A	M14 x 2.0	13.50	11.00	12.00	18 mm HEX	C12	130	
GBAMRT1015-1620-145S-12	649	M10X1.5	16	26.50	23.10	12.00	N/A	N/A	M16 x 2.0	17.00	14.50	14.00	20 mm HEX	C58	225	
GBAMRT1015-1620-145T-28	652	M10X1.5	THRU	42.50	23.10	28.00	N/A	N/A	M16 x 2.0	17.00	14.50	14.00	20 mm HEX	C58	225	
GBAMRT1015-1620-145T-10	650	M10X1.5	THRU	24.50	23.10	10.00	N/A	N/A	M16 x 2.0	17.00	14.50	14.00	20 mm HEX	C58	225	
GBAMRT1015-1620-145T-5	653	M10X1.5	THRU	19.50	23.10	5.00	N/A	N/A	M16 x 2.0	17.00	14.50	14.00	20 mm HEX	C58	225	

Part #	Part Code	Fredsert Data					Installation Data								
		A	B	C	D	P	Q	R	S	T	U	V			
		ID Thread	Minimum Effective ID Thread Depth (mm)	Overall Length (mm)	Head Dia (mm)	Head Thickness (mm)	Min C bore Dia (mm)	Min C bore Depth (mm)	Class 6H Thread in Parent Material	Min Drill Depth (mm)	Min Thread Depth (mm)	Tap Drill Diameter (mm)	Drive Tool	Combo Tool	Install Torque (ft-lbs)
GBAMRT1015-1620-145S-10	648	M10X1.5	16	24.50	23.10	10.00	N/A	N/A	M16 x 2.0	17.00	14.50	14.00	20 mm HEX	C58	225
GBAMRT1015-1620-145T-20	651	M10X1.5	THRU	34.50	23.10	20.00	N/A	N/A	M16 x 2.0	17.00	14.50	14.00	20 mm HEX	C58	225
GBAMRT12175-2025-17T-28	656	M12X1.75	THRU	45.00	28.88	28.00	N/A	N/A	M20 x 2.5	19.50	17.00	17.5	25 mm HEX	C29	350
GBAMRT12175-2025-17T-12.7	655	M12X1.75	THRU	29.70	28.88	12.70	N/A	N/A	M20 x 2.5	19.50	17.00	17.5	25 mm HEX	C29	350

Appurtenance-PRO



- Used where a stand-off or clearance is required
- No driver needed-socket head built into Appurtenance
- Eliminates need for weld bosses
- Designed for strength & flexibility
- Precision ID/OD thread concentricity
- Titanium option provides 40% weight savings over Stainless