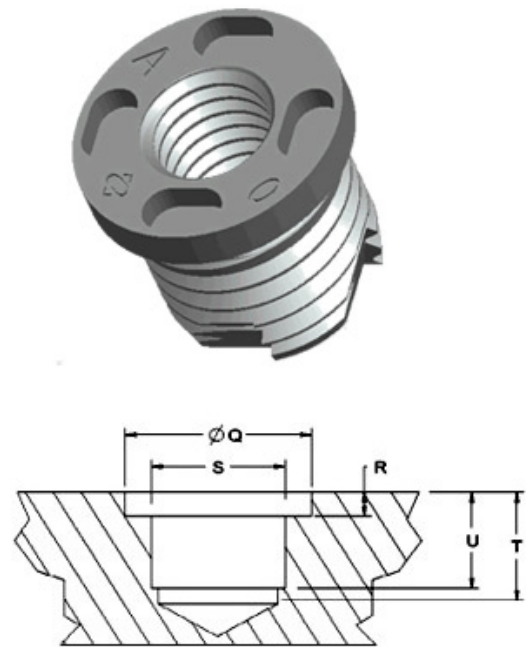
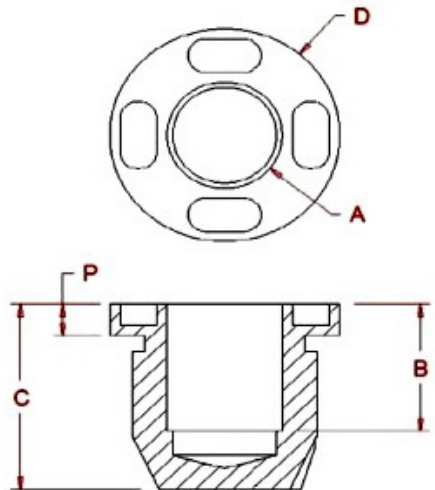


Extreme Corrosion

Fredsert Data

Installation Data

Part #	Part Code	Fredsert Data					Installation Data									
		A	B	C	D	P	Q	R	S	T	U	V	Drive Tool	Combo Tool	Install Torque (ft-lbs)	
		ID Thread	Minimum Effective ID Thread Depth (mm)	Overall Length (mm)	Head Dia (mm)	Head Thickness (mm)	Min C'bore Dia (mm)	Min C'bore Depth (mm)	Class 6H Thread in Parent Material	Min Drill Depth (mm)	Min Thread Depth (mm)	Tap Drill Diameter (mm)				
GAHMRTFA8125-1420-785-NS	163	M8 x 1.25	15.3	17.85	18	3	N/A	N/A	M14 x 2.0	10.35	7.85	12	12mm Hex	C10	110	
GAIMRTFA8125-1420-11T	19	M8 x 1.25	THRU	14.25	18.00	3.25	18.50	3.75	M14 x 2.0	16.75	14.25	12.00	D-3	C11	130	
GAIMRTFA1015-1620-145S	162	M10 x 1.5	13.18	17.75	20.00	3.25	20.50	3.75	M16 x 2.0	20.25	17.75	14.00	D-4	C20	225	
GAIMRTFA12175-2025-205S-NS	171	M12 x 1.75	17.85	23.50	24.50	3.25	25.00	3.75	M20 x 2.5	22.75	20.25	17.50	D-5	C32	350	



- Electro-ceramic coating eliminates potential for galvanic corrosion
- Used in areas where standing water can become trapped