

Female-INCH
(See reference on third page)

Fredsert Data

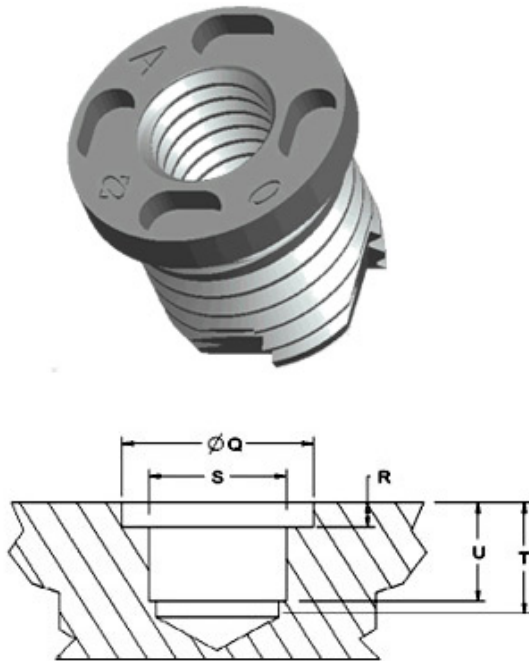
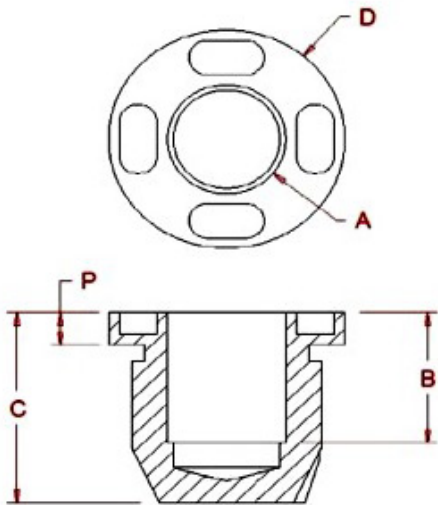
Installation Data

Part #	Part Code	Fredsert Data					Installation Data									
		A	B	C	D	P	Q	R	S	T	U	V				
		ID Thread	Minimum Effective ID Thread Depth (Inches)	Overall Length (Inches)	Head Dia (Inches)	Head Thickness (Inches)	Min C'bore Dia (Inches)	Min C'bore Depth (Inches)	Class 6H Thread in Parent Material	Min Drill Depth (Inches)	Min Thread Depth (Inches)	Tap Drill Diameter (Inches)	Drive Tool	Combo Tool	Install Torque (ft-lbs)	
GAISRT01632-03816-033S	805	#8-32	0.33	0.45	0.5	0.13	0.52	0.15	3/8 – 16	0.55	0.45	0.31	D-1.5	C60	60	
GAISRT01632-03816-033T	806	#8-32	Thru	0.45	0.5	0.13	0.52	0.15	3/8 – 16	0.55	0.45	0.31	D-1.5	C60	60	
GAISRT01924-04414-037T	809	#10-24	Thru	0.5	0.55	0.13	0.57	0.15	7/16 – 14	0.6	0.5	0.37	D-1.5	C61	60	
GAISRT01924-04414-037S	808	#10-24	0.31	0.5	0.55	0.13	0.57	0.15	7/16 – 14	0.6	0.5	0.37	D-1.5	C61	60	
GAISRT01932-04414-037S	810	#10-32	0.31	0.5	0.55	0.13	0.57	0.15	7/16 – 14	0.6	0.5	0.37	D-1.5	C61	60	
GAISRT01932-04414-037T	811	#10-32	Thru	0.5	0.55	0.13	0.57	0.15	7/16 – 14	0.6	0.5	0.37	D-1.5	C61	60	
GAISRT02520-05013-038S	816	1/4 – 20	0.37	0.5	0.6	0.13	0.62	0.15	1/2 – 13	0.6	0.5	0.42	D-2	C62	110	
GAISRT02520-05013-038T	817	1/4 – 20	Thru	0.5	0.6	0.13	0.62	0.15	1/2 – 13	0.6	0.5	0.42	D-2	C62	110	
GAISRT02528-05013-038T	819	1/4 – 28	Thru	0.5	0.6	0.13	0.62	0.15	1/2 – 13	0.6	0.5	0.42	D-2	C62	110	
GAISRT02528-05013-038S	818	1/4 – 28	0.37	0.5	0.6	0.13	0.62	0.15	1/2 – 13	0.6	0.5	0.42	D-2	C62	110	
GAISRT03118-05612-048S	820	5/16 – 18	0.47	0.6	0.7	0.13	0.72	0.15	9/16 – 12	0.7	0.6	0.48	D-3	C63	130	
GAISRT03118-05612-048T	821	5/16 – 18	Thru	0.6	0.7	0.13	0.72	0.15	9/16 – 12	0.7	0.6	0.48	D-3	C63	130	
GAISRT03124-05612-048S	823	5/16 – 24	0.47	0.6	0.7	0.13	0.72	0.15	9/16 – 12	0.7	0.6	0.48	D-3	C63	130	
GAISRT03124-05612-048T	824	5/16 – 24	Thru	0.6	0.7	0.13	0.72	0.15	9/16 – 12	0.7	0.6	0.48	D-3	C63	130	
GAISRT03816-06311-063T	826	3/8 – 16	Thru	0.75	0.81	0.13	0.83	0.15	5/8 – 11	0.85	0.75	0.53	D-4	C66	130	
GAISRT03816-06311-088T	860	3/8 – 16	Thru	1	0.81	0.13	0.83	0.15	5/8 – 11	1.1	1	0.53	D-4	C66A	130	
GAISRT03816-06311-063S	825	3/8 – 16	0.5	0.75	0.81	0.13	0.83	0.15	5/8 – 11	0.85	0.75	0.53	D-4	C66	130	
GAISRT03824-06311-063T	828	3/8 – 24	Thru	0.75	0.81	0.13	0.83	0.15	5/8 – 11	0.85	0.75	0.53	D-4	C66	130	
GAISRT03824-06311-063S	827	3/8 – 24	0.5	0.75	0.81	0.13	0.83	0.15	5/8 – 11	0.85	0.75	0.53	D-4	C66	130	
GAISRT04414-07510-072S	829	7/16 – 14	0.66	0.84	0.9	0.13	0.92	0.15	3/4 – 10	0.94	0.84	0.66	D-4.5	C67	275	
GAISRT04414-07510-072T	830	7/16 – 14	Thru	0.84	0.9	0.13	0.92	0.15	3/4 – 10	0.94	0.84	0.66	D-4.5	C67	275	
GAISRT04420-07510-072S	831	7/16 – 20	0.66	0.84	0.9	0.13	0.92	0.15	3/4 – 10	0.94	0.84	0.66	D-4.5	C67	275	
GAISRT04420-07510-072T	832	7/16 – 20	Thru	0.84	0.9	0.13	0.92	0.15	3/4 – 10	0.94	0.84	0.66	D-4.5	C67	275	

Part #	Part Code	Fredsert Data					Installation Data									
		A	B	C	D	P	Q	R	S	T	U	V				
		ID Thread	Minimum Effective ID Thread Depth (Inches)	Overall Length (Inches)	Head Dia (Inches)	Head Thickness (Inches)	Min C'bore Dia (Inches)	Min C'bore Depth (Inches)	Class 6H Thread in Parent Material	Min Drill Depth (Inches)	Min Thread Depth (Inches)	Tap Drill Diameter (Inches)	Drive Tool	Combo Tool	Install Torque (ft-lbs)	
GAISRT05013-08809-082T	834	1/2 – 13	Thru	0.95	1.12	0.13	1.15	0.15	7/8-9	1.05	0.95	0.77	D-6	C68	500	
GAISRT05020-08809-082S	836	1/2 – 20	0.75	0.95	1.12	0.13	1.15	0.15	7/8-9	1.05	0.95	0.77	D-6	C68	500	
GAISRT05020-08809-082T	837	1/2 – 20	Thru	0.95	1.12	0.13	1.15	0.15	7/8-9	1.05	0.95	0.77	D-6	C68	500	
GAISRT05013-08809-082S	833	1/2 -13	0.75	0.95	1.12	0.13	1.15	0.15	7/8-9	1.05	0.95	0.77	D-6	C68	500	
GAISRT05612-08809-091S	838	9/16 – 12	0.81	1.03	1.19	0.13	1.21	0.15	7/8 – 9	1.13	1.03	0.77	D-6	C69	500	
GAISRT05612-08809-091T	839	9/16 – 12	Thru	1.03	1.19	0.13	1.21	0.15	7/8 – 9	1.13	1.03	0.77	D-6	C69	500	
GAISRT05618-08809-091T	841	9/16 – 18	Thru	1.03	1.19	0.13	1.21	0.15	7/8 – 9	1.13	1.03	0.77	D-6	C69	500	
GAISRT05618-08809-091S	840	9/16 – 18	0.81	1.03	1.19	0.13	1.21	0.15	7/8 – 9	1.13	1.03	0.77	D-6	C69	500	
GAISRT06311-10008-100T	843	5/8 – 11	Thru	1.1	1.25	0.13	1.27	0.15	1 – 8	1.23	1.13	0.88	D-6	C71	500	
GAISRT06311-10008-100S	842	5/8 – 11	0.87	1.1	1.25	0.13	1.27	0.15	1 – 8	1.23	1.13	0.88	D-6	C71	500	
GAISRT06318-10008-100S	844	5/8 – 18	0.87	1.1	1.25	0.13	1.27	0.15	1 – 8	1.23	1.13	0.88	D-6	C71	500	
GAISRT06318-10008-100T	845	5/8 – 18	Thru	1.1	1.25	0.13	1.27	0.15	1 – 8	1.23	1.13	0.88	D-6	C71	500	
GAISRT07510-12507-119S	846	3/4 – 10	1.13	1.38	1.42	0.19	1.44	0.21	1-1/4 – 7	1.48	1.38	1.1	D-7	C73	700	
GAISRT07510-12507-119T	847	3/4 – 10	Thru	1.38	1.42	0.19	1.44	0.21	1-1/4 – 7	1.48	1.38	1.1	D-7	C73	700	
GAISRT07516-12507-119T	849	3/4 – 16	Thru	1.38	1.42	0.19	1.44	0.21	1-1/4 – 7	1.48	1.38	1.1	D-7	C73	700	
GAISRT07516-12507-119S	848	3/4 – 16	1.13	1.38	1.42	0.19	1.44	0.21	1-1/4 – 7	1.48	1.38	1.1	D-7	C73	700	
GAISRT08814-13806-131S	852	7/8 – 14	1.31	1.53	1.69	0.22	1.71	0.24	1-3/8 – 6	1.63	1.53	1.22	D-9	C74	800	
GAISRT08814-13806-131T	853	7/8 – 14	Thru	1.53	1.69	0.22	1.71	0.24	1-3/8 – 6	1.63	1.53	1.22	D-9	C74	800	
GAISRT08809-13806-131S	851	7/8 – 9	1.31	1.53	1.69	0.22	1.71	0.24	1-3/8 – 6	1.63	1.53	1.22	D-9	C74	800	
GAISRT08809-13806-131T	850	7/8 – 9	Thru	1.53	1.69	0.22	1.71	0.24	1-3/8 – 6	1.63	1.53	1.22	D-9	C74	800	
GAISRT10012-15006-150S	856	1 – 12	1.5	1.75	1.84	0.25	1.86	0.27	1-1/2 – 6	1.85	1.75	1.344	D-10	C76	1000	
GAISRT10012-15006-150T	857	1 – 12	Thru	1.75	1.84	0.25	1.86	0.27	1-1/2 – 6	1.85	1.75	1.344	D-10	C76	1000	
GAISRT10008-15006-150T	855	1 – 8	Thru	1.75	1.84	0.25	1.86	0.27	1-1/2 – 6	1.85	1.75	1.344	D-10	C76	1000	

Part #	Part Code	Fredsert Data					Installation Data								
		A	B	C	D	P	Q	R	S	T	U	V			
		ID Thread	Minimum Effective ID Thread Depth (Inches)	Overall Length (Inches)	Head Dia (Inches)	Head Thickness (Inches)	Min C bore Dia (Inches)	Min C bore Depth (Inches)	Class 6H Thread in Parent Material	Min Drill Depth (Inches)	Min Thread Depth (Inches)	Tap Drill Diameter (Inches)	Drive Tool	Combo Tool	Install Torque (ft-lbs)
GAISRT10008-15006-150S	854	1-8	1.5	1.75	1.84	0.25	1.86	0.27	1-1/2-6	1.85	1.75	1.344	D-10	C76	1000

Female-INCH



-General purpose insert

-Designed for strength & durability

-Precision ID/OD thread concentricity

-Can be mounted 'Proud' or 'Flush' relative to plate surface

-Titanium option provides 40% weight savings over Stainless