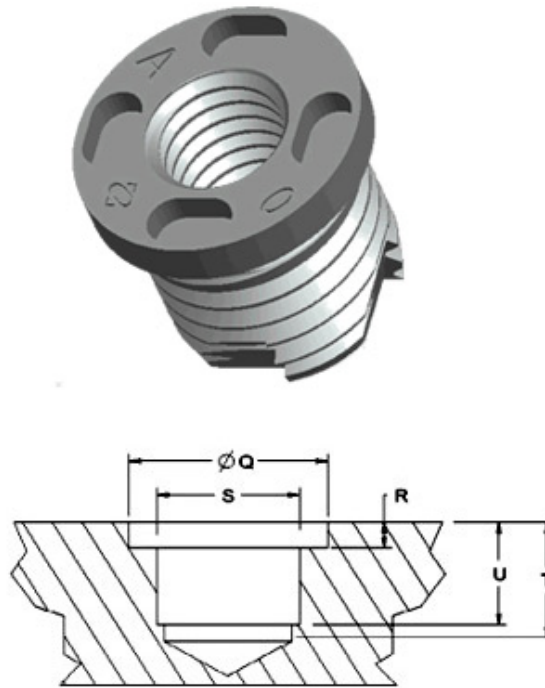
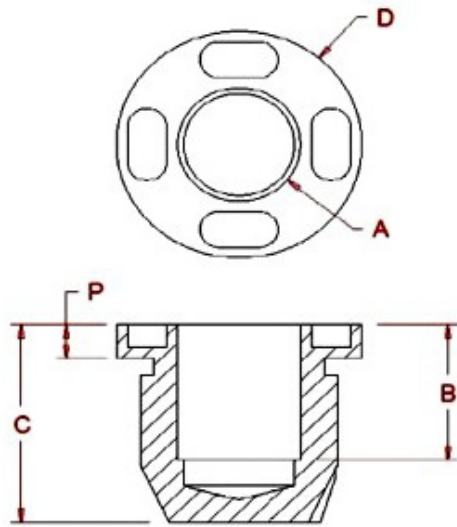


Female-Metric (See reference on third page)	Part Code	Fredsert Data					Installation Data								
		A	B	C	D	P	Q	R	S	T	U	V			
		ID Thread	Minimum Effective ID Thread Depth (mm)	Overall Length (mm)	Head Dia (mm)	Head Thickness (mm)	Min C bore Dia (mm)	Min C bore Depth (mm)	Class 6H Thread in Parent Material	Min Drill Depth (mm)	Min Thread Depth (mm)	Tap Drill Diameter (mm)	Drive Tool	Combo Tool	Install Torque (ft-lbs)
GAIMRT407-8125-8S	4	M4 x 0.7	7.13	11.25	11.00	3.25	11.50	3.75	M8 x 1.25	13.75	11.25	6.70	D-1	C-3	15
GAIMRT407-8125-5T	1	M4 x 0.7	THRU	8.25	11.00	3.25	11.50	3.75	M8 x 1.25	10.75	8.25	6.70	D-1	C1	15
GAIMRT508-1015-9S	7	M5 x 0.8	7.88	12.25	12.70	3.25	13.20	3.75	M10 x 1.5	14.75	12.25	8.50	D-1.5	C4	60
GAIMRT508-1015-9T	8	M5 x 0.8	THRU	12.25	12.70	3.25	13.20	3.75	M10 x 1.5	14.75	12.25	8.50	D-1.5	C4	60
GAIMRT610-12175-105S	15	M6 x 1.0	9.00	13.75	16.00	3.25	16.50	3.75	M12 x 1.75	16.25	13.75	10.20	D-2	C8	110
GAIMRT610-12175-9S	11	M6 x 1.0	7.88	12.25	16.00	3.25	16.50	3.75	M12 x 1.75	14.75	12.25	10.20	D-2	C6	110
GAIMRT610-12175-9T	12	M6 x 1.0	THRU	12.25	16.00	3.25	16.50	3.75	M12 x 1.75	14.75	12.25	10.20	D-2	C6	110
GAIMRT8125-1420-11S	18	M8 x 1.25	10.00	14.25	18.00	3.25	18.50	3.75	M14 x 2.0	16.25	14.25	12.00	D-3	C11	130
GAIMRT8125-1420-17S	144	M8 x 1.25	16.00	20.25	18.00	3.25	18.50	3.75	M14 x 2.0	22.75	20.25	12.00	D-3	C16	130
GAIMRT8125-1420-11T	161	M8 x 1.25	THRU	14.25	18.00	3.25	18.50	3.75	M14 x 2.0	16.25	14.25	12.00	D-3	C11	130
GAIMRT8125-1420-19T	25	M8 x 1.25	THRU	22.25	18.00	3.25	18.50	3.75	M14 x 2.0	24.75	22.25	12.00	D-3	C17	130
GAIMRT8125-1420-15T	22	M8 x 1.25	THRU	18.25	18.00	3.25	18.50	3.75	M14 x 2.0	20.75	18.25	12.00	D-4	C15	135
GAIMRT10125-1620-145T	138	M10 x 1.25	THRU	17.75	20.00	3.25	20.50	3.75	M16 x 2.0	20.25	17.75	14.00	D-4	C20	130
GAIMRT1015-1620-145T	29	M10 x 1.5	THRU	17.75	20.00	3.25	20.50	3.75	M16 x 2.0	20.25	17.75	14.00	D-4	C20	225
GAIMRT1015-1620-12T	26	M10 x 1.5	THRU	15.25	20	3.25	20.5	3.75	M16 x 2.0	17.75	15.25	14	D-4	C19	225
GAIMRT1015-1620-21S	142	M10 x 1.5	19.75	24.25	20.00	3.25	20.50	3.75	M16 x 2.0	26.75	24.25	14.00	D-4	C21	225
GAIMRT1015-1620-145S	28	M10 x 1.5	13.18	17.75	20.00	3.25	20.50	3.75	M16 x 2.0	20.25	17.75	14.00	D-4	C20	225
GAIMRT1015-1620-30T	32	M10 x 1.5	THRU	33.25	20.00	3.25	20.50	3.75	M16 x 2.0	35.75	33.25	14.00	D-4	C22	225
GAIMRT12175-2025-12T	31	M12 x 1.75	THRU	15.25	24.5	3.25	25	3.75	M20 x 2.5	17.75	15.25	17.5	D-5	C25	350
GAIMRT12175-2025-17T	36	M12 x 1.75	THRU	20.25	24.50	3.25	25.00	3.75	M20 x 2.5	22.75	20.25	17.50	D-5	C28	350
GAIMRT12175-2025-44T	43	M12 x 1.75	THRU	47.25	24.50	3.25	25.00	3.75	M20 x 2.5	49.75	47.25	17.50	D-5	C33	350
GAIMRT12175-2025-14T	34	M12 x 1.75	THRU	17.25	24.5	3.25	25	3.75	M20 x 2.5	19.75	17.25	17.5	D-5	C26	350
GAIMRT12175-2025-20S	39	M12 x 1.75	18.00	23.25	24.50	3.25	25.00	3.75	M20 x 2.5	25.75	23.25	17.50	D-5	C31	350

Part #	Part Code	Fredsert Data					Installation Data									
		A	B	C	D	P	Q	R	S	T	U	V				
		ID Thread	Minimum Effective ID Thread Depth (mm)	Overall Length (mm)	Head Dia (mm)	Head Thickness (mm)	Min C bore Dia (mm)	Min C bore Depth (mm)	Class 6H Thread in Parent Material	Min Drill Depth (mm)	Min Thread Depth (mm)	Tap Drill Diameter (mm)	Drive Tool	Combo Tool	Install Torque (ft-lbs)	
GAIMRT12175-2025-9T	44	M12 x 1.75	THRU	12.25	24.5	3.25	25	3.75	M20 x 2.5	14.75	12.25	17.5	D-5	C24	300	
GAIMRT12175-2025-17S	35	M12 x 1.75		15.75	20.25	24.50	3.25	25.00	3.75	M20 x 2.5	22.75	20.25	17.50	D-5	C28	350
GAIMRT12175-2025-20T	40	M12 x 1.75	THRU	23.25	24.50	3.25	25.00	3.75	M20 x 2.5	25.75	23.25	17.50	D-5	C31	350	
GAIMRT1420-2430-20T	46	M14 x 2.0	THRU	24.25	30.00	4.25	30.50	4.75	M24 x 3.0	26.75	24.25	21.00	D-6	C35	500	
GAIMRT1620-2730-22S	49	M16 x 2.0		21.00	26.25	32.00	4.25	32.50	4.75	M27 x 3.0	28.75	26.25	24.00	D-6	C38	700
GAIMRT1620-2730-48T	56	M16 x 2.0	THRU	52.25	32.00	4.25	32.50	4.75	M27 x 3.0	54.75	52.25	24.00	D-6	C40	700	
GAIMRT1620-2730-22T	50	M16 x 2.0	THRU	26.25	32.00	4.25	32.50	4.75	M27 x 3.0	28.75	26.25	24.00	D-6	C38	700	
GAIMRT1620-2730-30S	53	M16 x 2.0		26.50	34.25	32.00	4.25	32.50	4.75	M27 x 3.0	36.75	34.25	24.00	D-6	C39	700
GAIMRT2025-3335-32T	65	M20 x 2.5	THRU	38.25	38.00	6.25	38.50	6.75	M33 x 3.5	40.75	38.25	29.50	D-8	C50	800	
GAIMRT2025-3335-54S	77	M20 x 2.5		47.00	60.25	38.00	6.25	38.50	6.75	M33 x 3.5	62.75	60.25	29.50	D-8	C54	800
GAIMRT2025-3035-48S	59	M20 x 2.5		42.00	53.25	36.00	5.25	36.50	6.75	M33 x 3.5	55.75	53.25	26.50	D-7	C46	700
GAIMRT2025-3335-38S	71	M20 x 2.5		34.00	44.25	38.00	6.25	38.50	6.75	M33 x 3.5	46.75	44.25	29.50	D-8	C51	800
GAIMRT2025-3335-54T	78	M20 x 2.5	THRU	60.25	38.00	6.25	38.50	6.75	M33 x 3.5	62.75	60.25	29.50	D-8	C54	800	
GAIMRT2025-3335-24T	62	M20 x 2.5	THRU	30.25	38.00	6.25	38.50	6.75	M33 x 3.5	32.75	30.25	29.50	D-8	C48	800	
GAIMRT2025-3335-44S	153	M20 x 2.5		44.00	50.25	38.00	6.25	38.50	6.75	M33 x 3.5	52.75	50.25	29.50	D-8	C52	800
GAIMRT2430-3335-38S	74	M24 x 3.0		34.00	44.25	44.00	6.25	44.50	6.75	M33 x 3.5	46.75	44.25	29.50	D-9	C51	800
GAIMRT2430-3335-54S	81	M24 x 3.0		48.00	60.25	44.00	6.25	44.50	6.75	M33 x 3.5	62.75	60.25	29.50	D-9	C54	800
GAIMRT2430-3335-32T	68	M24 x 3.0	THRU	38.25	44.00	6.25	44.50	6.75	M33 x 3.5	40.75	38.25	29.50	D-9	C50	800	
GAIMRT2430-3640-32T	84	M24 x 3.0	THRU	38.25	44.00	6.25	44.50	6.75	M36 x 4.0	40.75	38.25	32.00	D-9	C56	1000	
GAIMRT3640-5250-58S	168	M36 x 4.0		54.00	67.50	62.00	9.50	62.50	10.00	M52 x 5.0	69.50	67.50	47.00	D-12	C57	2000

Appurtenance-PRO



- General purpose insert
- Designed for strength & durability
- Precision ID/OD thread concentricity
- Can be mounted 'Proud' or 'Flush' relative to plate surface
- Titanium option provides 40% weight savings over Stainless