

HEX

Fredsert Data

Installation Data

A B C D P Q R S T U V

Part #

Part Code

ID Thread

Minimum Effective ID Thread Depth (mm)

Overall Length (mm)

Head Dia (mm)

Head Thickness (mm)

Min C' bore Dia (mm)

Min C' bore Depth (mm)

Class 6H Thread in Parent Material

Min Drill Depth (mm)

Min Thread Depth (mm)

Tap Drill Diameter (mm)

Drive Tool

Combo Tool

Install Torque (ft-lbs)

GAHMRT8125-1420-1350-NS

93

M8 x 1.25

15.3

23.50

18

3

N/A

N/A

M14 x 2.0

16.00

13.50

12

12mm Hex

C14

130

GAHMRT8125-1420-785-NS

90

M8 x 1.25

15.3

17.85

18

3

N/A

N/A

M14 x 2.0

10.35

7.85

12

12mm Hex

C10

130

GAHMRT1015-1620-785-NS

96

M10 x 1.50

17

23

20

2.5

N/A

N/A

M16 x 2.0

10.35

7.85

14

14mm Hex

C18

225

GAHMRT12175-2025-785-NS

2

M12 x 1.75

23.5

26

25

3

N/A

N/A

M20 x 2.5

10.35

7.85

17.5

19mm Hex

C23

350

GAHMRT1620-2430-125-NS

107

M16 x 2.0

16

26

30

4.25

N/A

N/A

M24 x 3.0

15.00

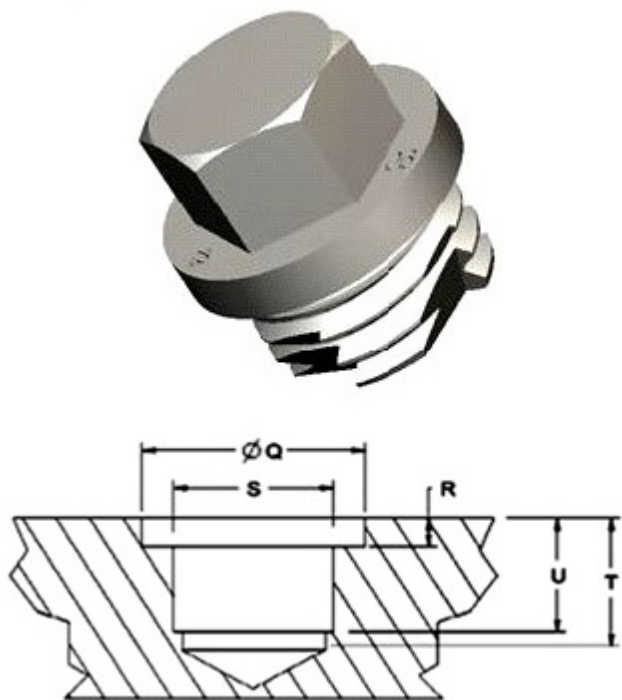
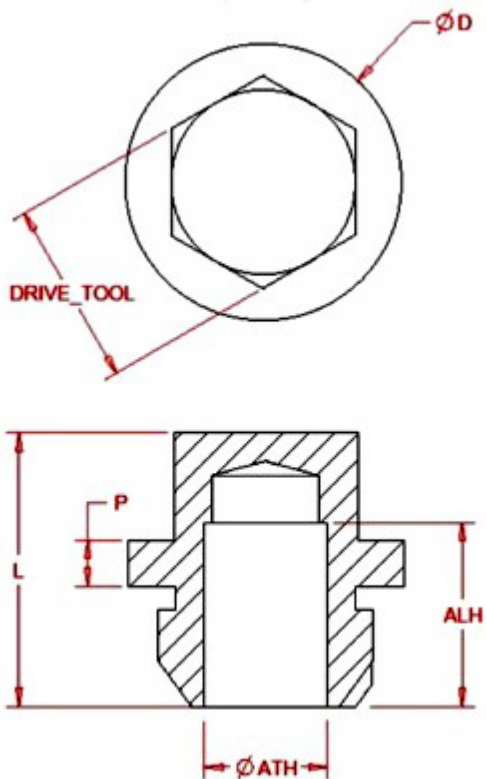
12.50

21

19mm Hex

C24

425



-Bolt installed from opposite side of plate

-Provides flexibility for difficult areas

-Designed for strength & durability

-No driver needed-socket hex built into Fredsert

-Precision ID/OD thread concentricity

-Titanium option provides 40% weight savings over Stainless